

**Receiver**

**From**

Company  
Reference  
Address  
Phone  
Fax  
E-mail

**Item n° :** 60118033  
**Customer pos. no.:**

**Model :**  
EUROSWIM 200 M

**Pump data**

Pressure rating : 2,467 atm  
Min. fluid temperature : 0 °C  
Max. fluid temperature : 60 °C  
Max. Ambient temperature : 50 °C

**Requested data**

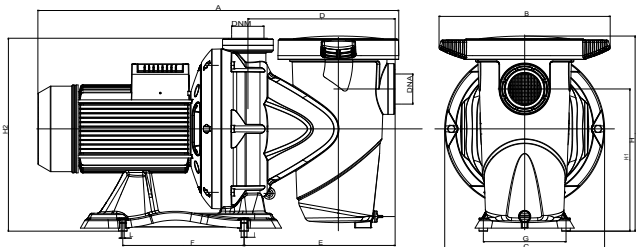
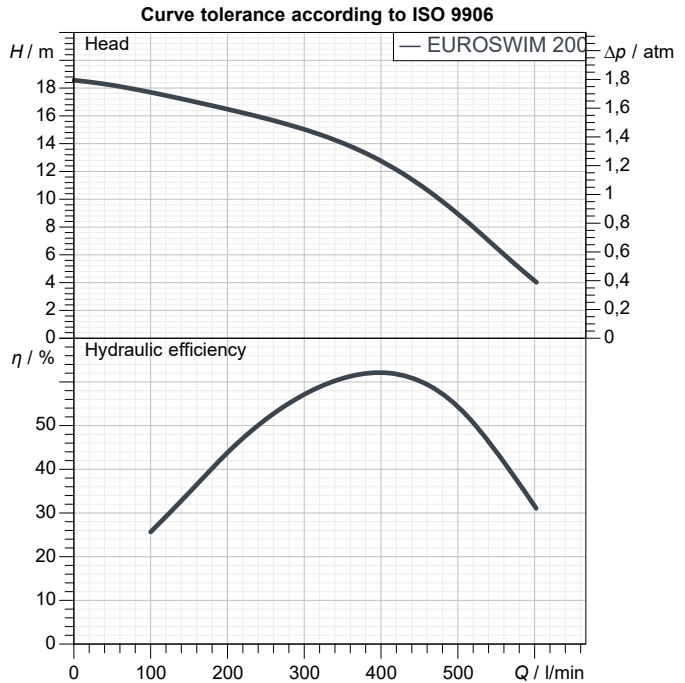
Flow :  
Head :  
Fluid : Water  
Fluid Temperature : 20 °C  
Density : 998,3 kg/m³  
Kinematic viscosity : 1,005 mm²/s  
Vapor pressure : 0,02 atm

**Hydraulic data (duty point)**

Flow :  
Head :

**Materials**

Pump body : Reinforced technopolymer  
Impeller : Reinforced technopolymer  
Diffuser : Reinforced technopolymer  
Filter : Technopolymer  
Mechanical seal : Carbon/Alumina/NBR/AISI316  
Filter cover : Polycarbonate  
O-ring : NBR



**Weight :** 20 kg

**Motor data**

Motor brand : DAB  
Nominal power P2 : 1,5 kW  
Rated speed : 2.800 1/min  
Rated voltage : 1~ 220-240 V 50 Hz  
Nominal current : 8,6 A  
Degree of protection : IP X5

**Dimensions in mm**

A	655	L	6,5
B	311		
C	290		
D	267		
DNA	G2"		
DNM	G2"		
E	274		
F	220		
G	150		
H	353		
H1	258		
H2	350		
I	11		

**Pump connection**

Suction side : 2" G / 2,467 atm  
Discharge side : 2" G / 2,467 atm



# PERFORMANCE CURVES

2023-10-2€

Page 2 / 3

DAB PUMPS S.p.A.  
Via Marco Polo, 14 - 35035 Mestrino (PD), Italy  
Tel. +39 049 5125000 - Fax +39 049 5125950  
www.dabpumps.com

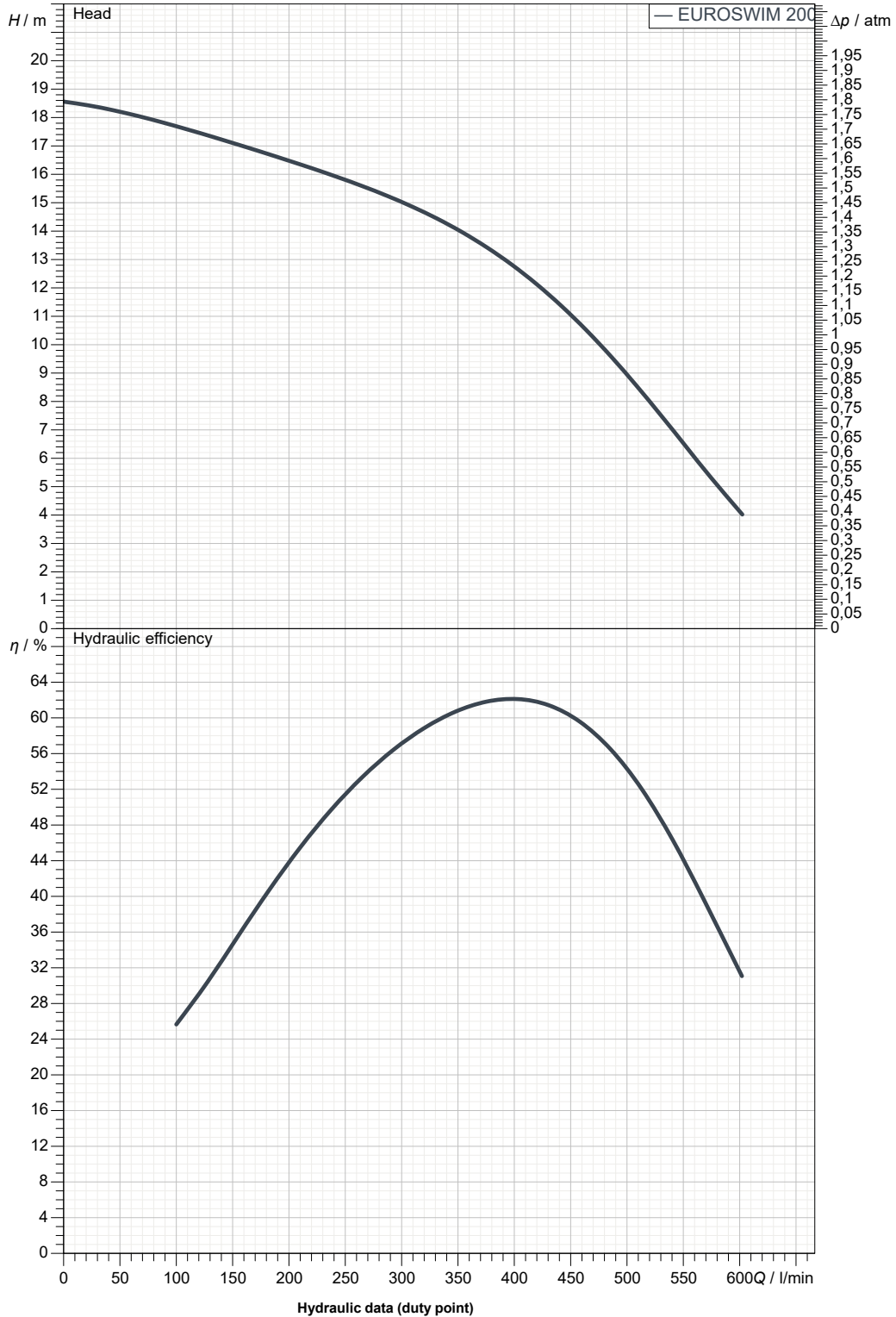
Receiver

From

Company  
Reference  
Address  
Phone  
Fax  
E-mail

## EUROSWIM 200 M

Curve tolerance according to ISO 9906



Suction side :  
2" G  
2,467 atm

Discharge side :  
2" G  
2,467 atm

Flow :

Head :

Rated speed :  
2.800 1/min

MAIN\_PROJECT\_TITLE

BUSINESS\_PROCESS\_ID

OWNER\_

ISSUE\_DATE  
2023-10-29



# DIMENSIONAL DRAWING

2023-10-29

Page 3 / 3

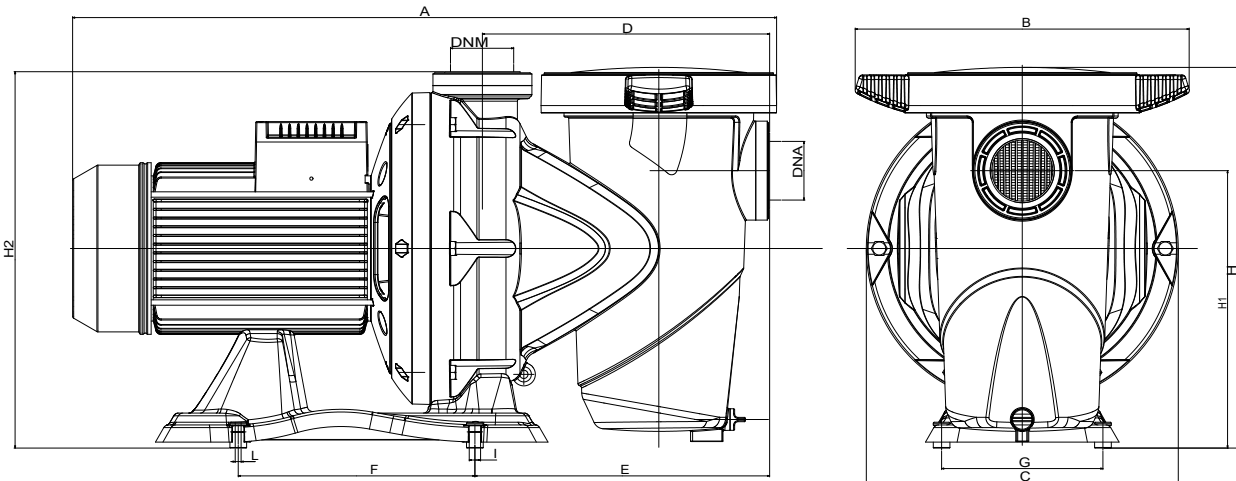
DAB PUMPS S.p.A.  
Via Marco Polo, 14 - 35035 Mestrino (PD), Italy  
Tel. +39 049 5125000 - Fax +39 049 5125950  
www.dabpumps.com

Receiver

From

Company  
Reference  
Address  
Phone  
Fax  
E-mail

## EUROSWIM 200 M



### Dimensions in mm

### Pump connection

1	A	655	H2	350			
2	B	311	I	11			Suction
3	C	290	L	6,5			2" G
4	D	267					2,467 atm
5	DNA	G2"					
6	DNM	G2"					
7	E	274					Discharge
8	F	220					2" G
9	G	150					2,467 atm
10	H	353					
11	H1	258					

MAIN\_PROJECT\_TITLE

BUSINESS\_PROCESS\_ID

OWNER

ISSUE\_DATE

2023-10-29